

4

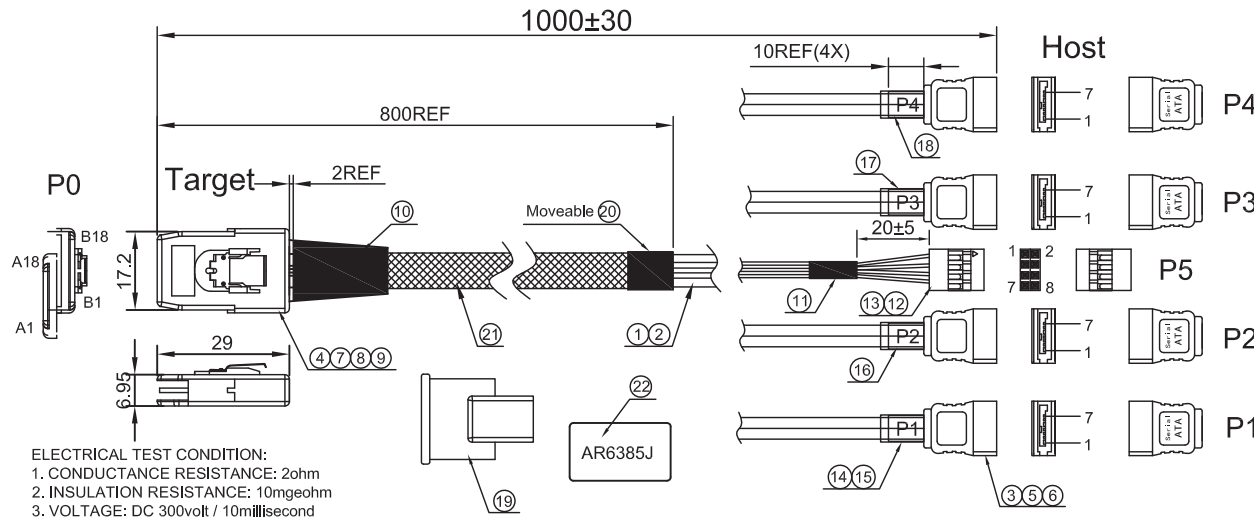
3

2

1

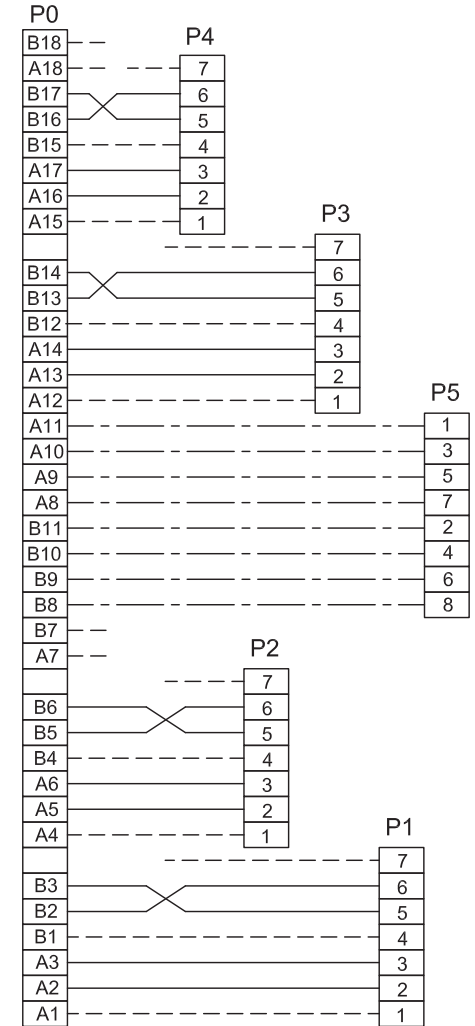
PART NO. 88885237

REVISIONS				
LTR	ECR NO.	DESCRIPTION	DATE	APPROVED
A		Initial Release for Manufacture	Sep.06.13	
B	15081	Change of anti-static bags	Apr.20.15	



ELECTRICAL TEST CONDITION:  
 1. CONDUCTANCE RESISTANCE: 2ohm  
 2. INSULATION RESISTANCE: 10mgeohm  
 3. VOLTAGE: DC 300volt / 10millisecond

PIN ASSIGNMENT



<p>ENSIION ARE MILLIMETERS ERANCES ARE :</p> <p>IMALS ± 0.30 ANGLES ± 3° ± 0.20</p> <p>DO NOT SCALE DRAWING</p>	APPROVALS	DATE	<b>Inter-Tech Elektronik Handels GmbH</b>  <b>SFF8087 MINI SAS 36P to 4xSATA 7P/F + 2x4P CROSSOVER, 1m</b>				
	CHECKED						
	APPROVAL:			SIZE	SCALE :	DRAWING NO.	REV.
				C			B
	ID NO.		SHEET 1 OF 1				

4

3

2

1

D

C

B

A

D

C

B

A