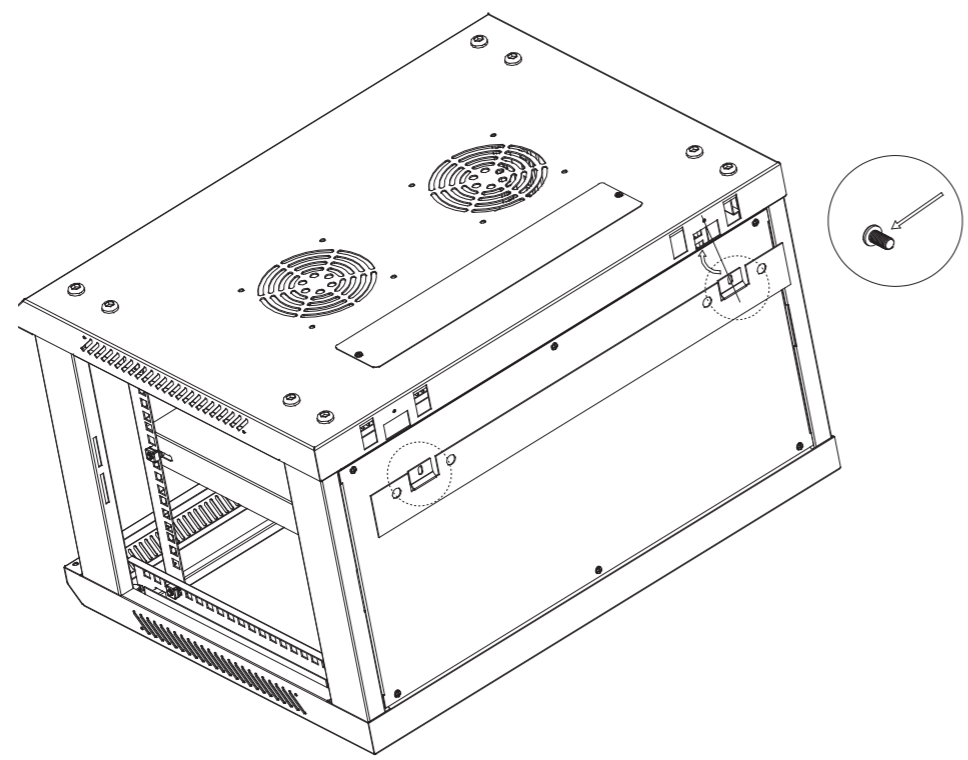
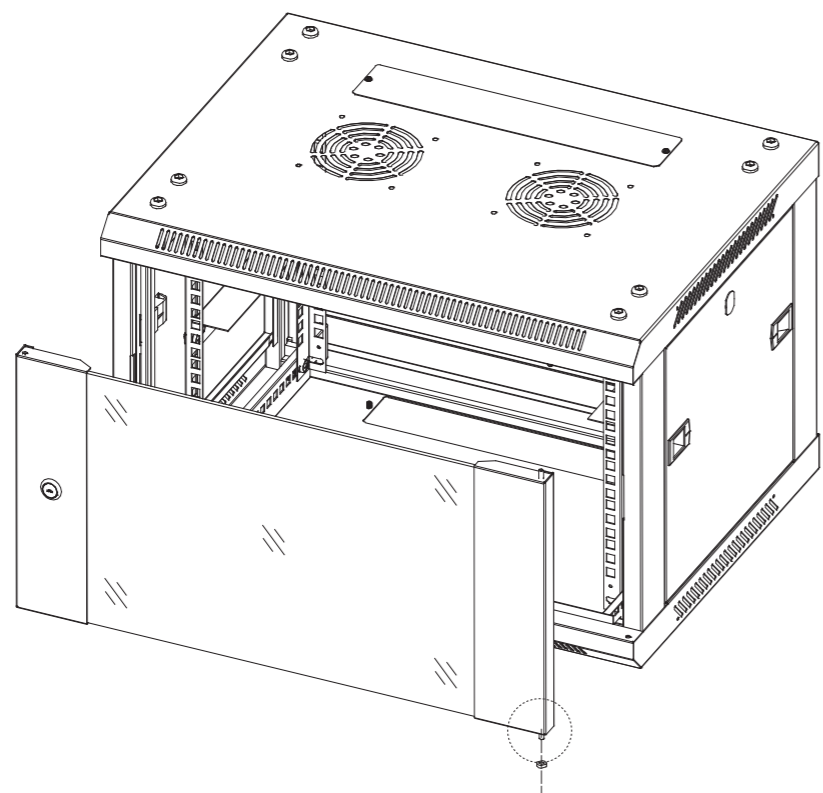


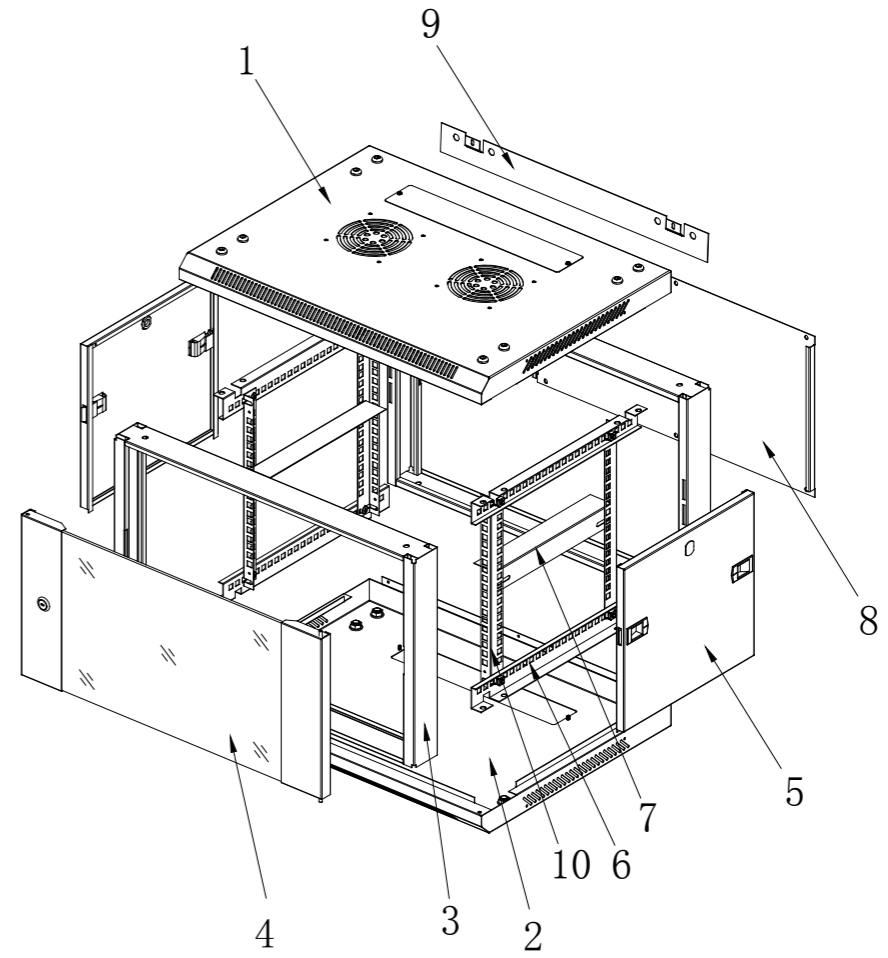
SMA Wall-mounted Cabinet (Single Section) Assembly Manual



(5) Assembly the mounting bracket by 2pcs M4*8 self- tapping screws.



(6) Assembly the front door with 1pcs white plastic washer and bolt. And toolless assembly the side doors.
 Note:After assembly,please adjust the diagonal size of the cabinet to ensure homogeneous space for all doors and all doors work well.



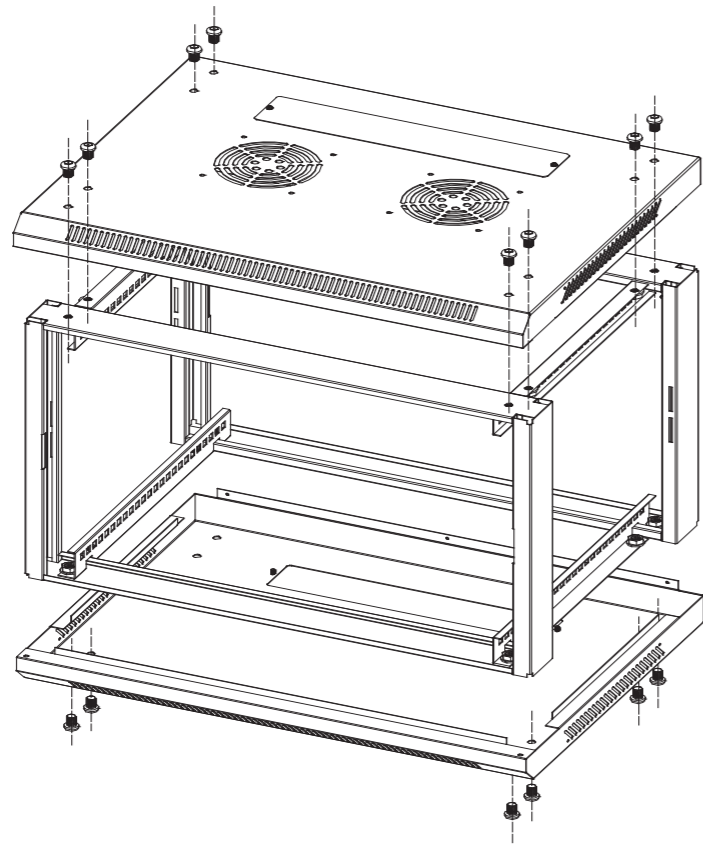
Packaging List

- | | |
|-----------------------|------------------------------------|
| 1. Top panel- 1pcs | 6. Horizontal Beams- 4pcs |
| 2. Bottom Panel- 1pcs | 7. L Type Mounting Brackets - 2pcs |
| 3. Frames- 2pcs | 8. Back Panel - 1pcs |
| 4. Front Door - 1pcs | 9. Mounting Bracket - 1pcs |
| 5. Side Panels- 2pcs | 10. Vertical Mounting Rails - 4pcs |

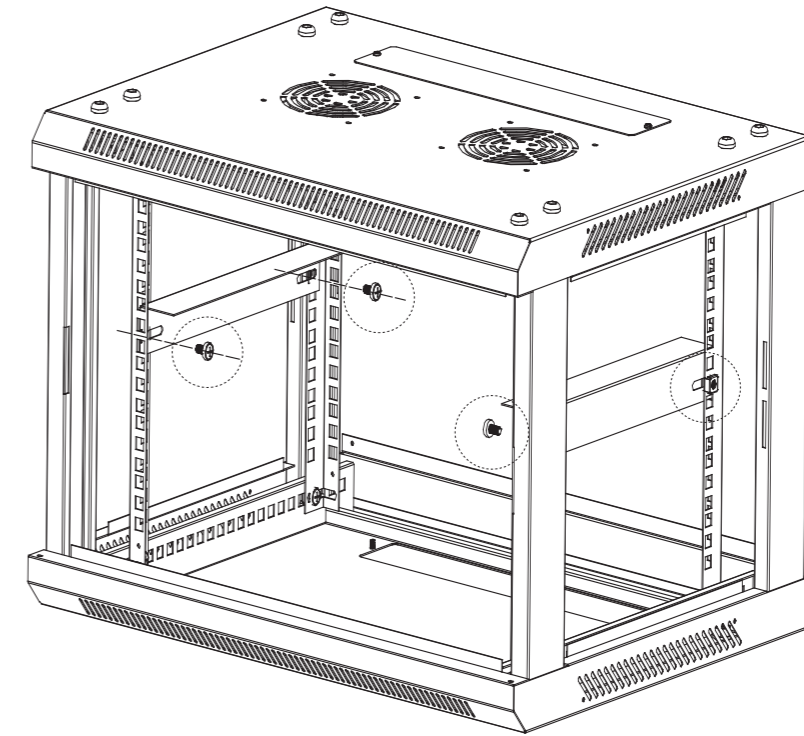
Item List of Accessories Packaging

- Assembly Hardwares Kits:
- | | |
|--------------------------------------|------------------------------------|
| A. M8*12 Inner Hexagon Screw - 16pcs | E. M4*8 Self-tapping Screw - 12pcs |
| B. M8 Flange Nut - 16pcs | F. White Plastic Washer - 1pcs |
| C. M6*12 screw - 12pcs | G. Keys-2pcs |
| D. M6 Cage Nut - 12pcs | |
- End User Hardwares Kits:
 U Capacity <=9U, 12 sets cagenut ; U Capacity >=12U, 24 sets cagenut.

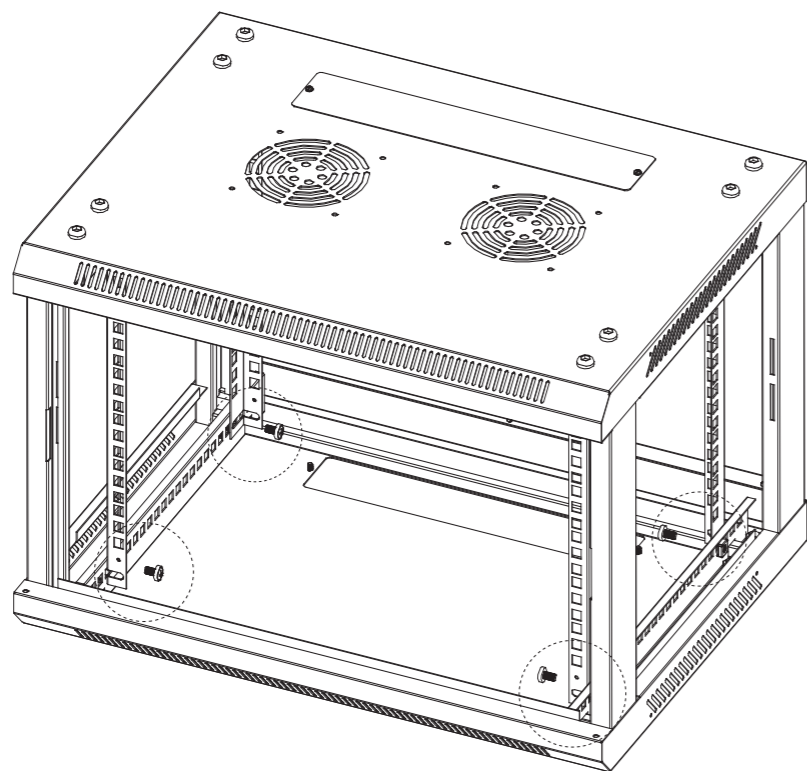
Tips: Check the quantities of the items before assembly.



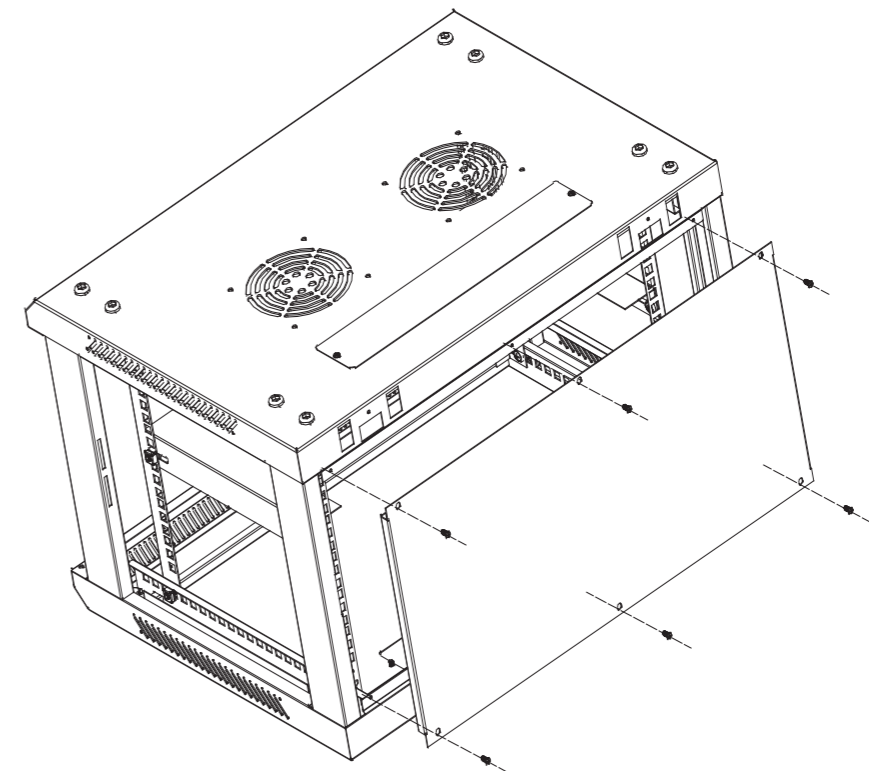
(1) Assembly the top panel, frames and horizontal beams by 16pcs M8*12 inner hexagon screws and 16pcs M8 flange nuts.



(3) Assembly the L type mounting brackets by 4pcs M6*12 screws and 4pcs M6 cage nuts.



(2) Assembly the horizontal beams by 8pcs M6*12 screws and 8pcs M6 Cage nuts.



(5) Assembly the back panel by 6pcs M4*8 self-tapping screws.